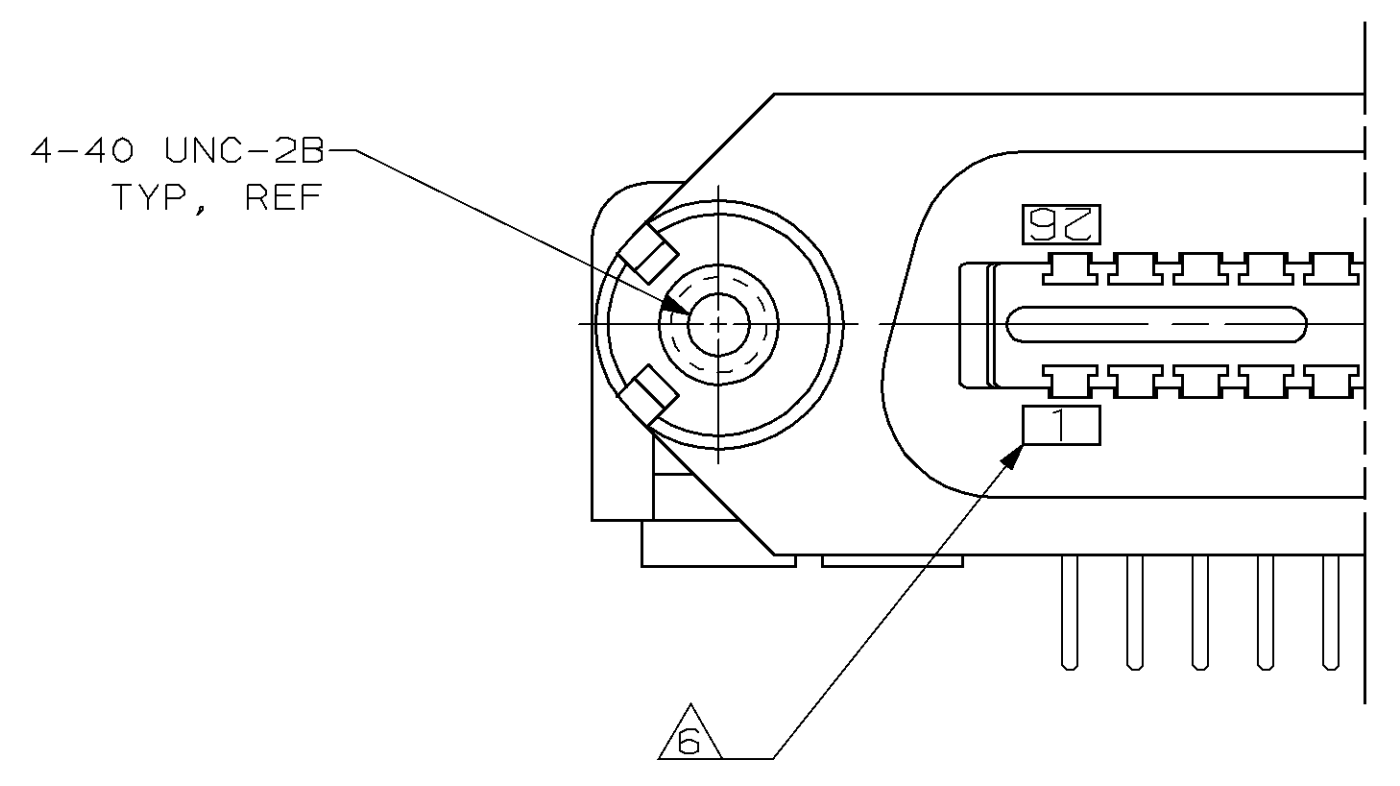
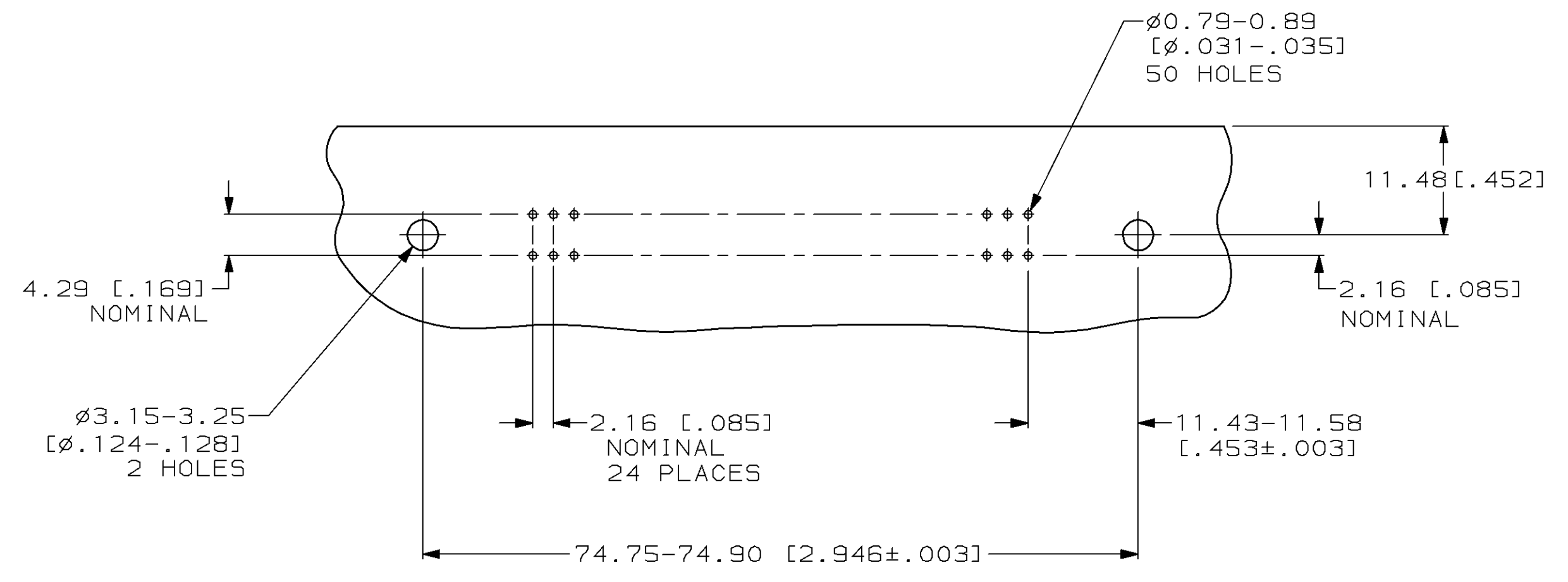


LOC	DIST	REVISIONS			
P	LTR	DESCRIPTION	DATE	DMN	APVD
AA	20	N REDRAWN; EC 0502-0512-97	18AUG97	DLD	RF

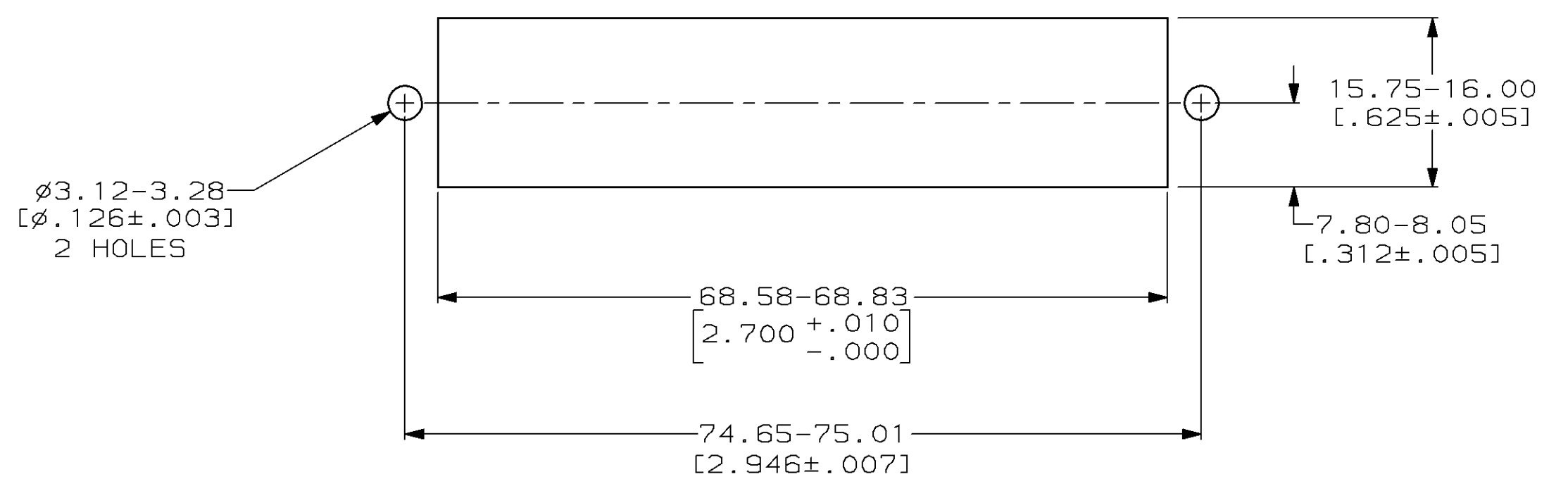
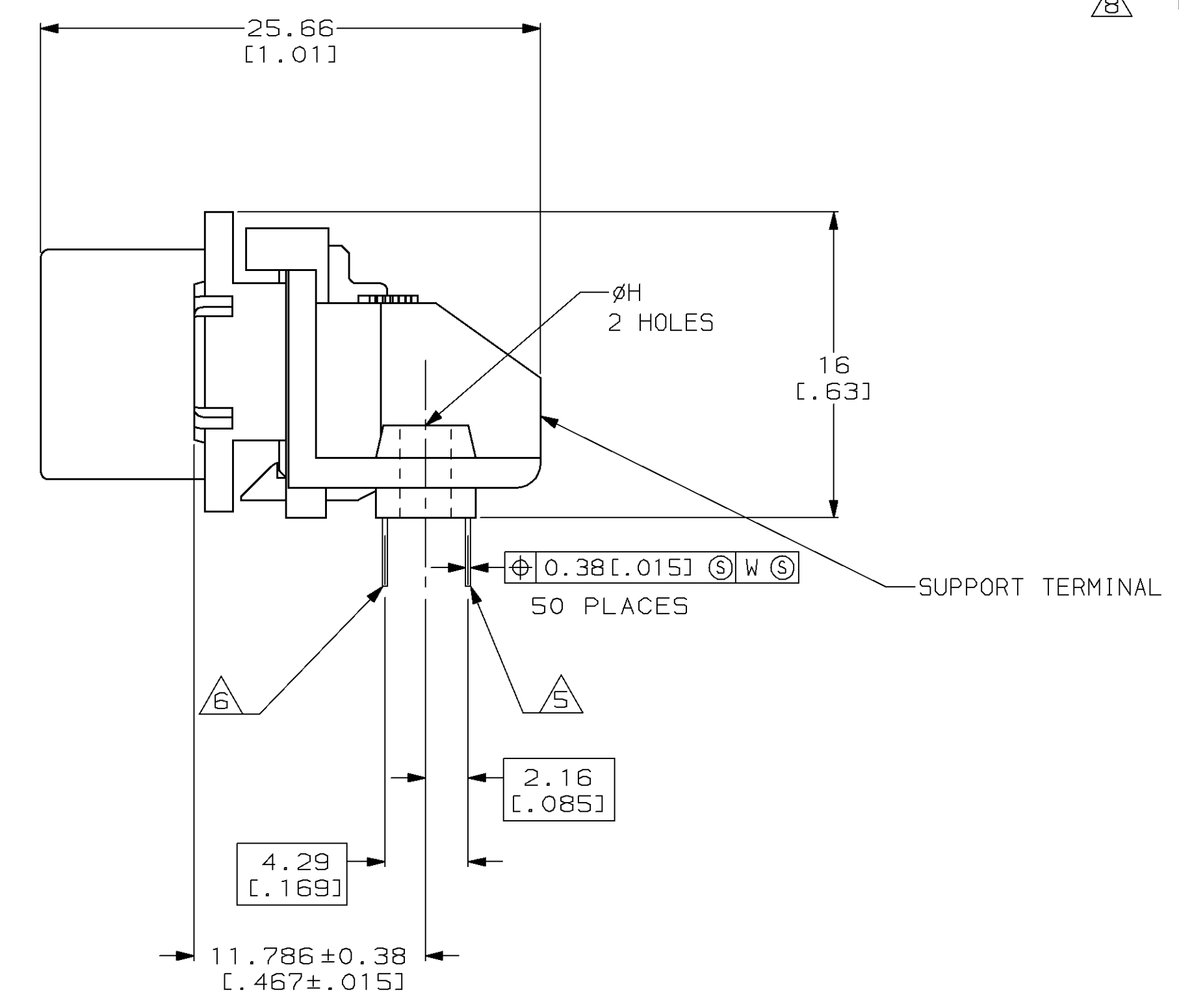
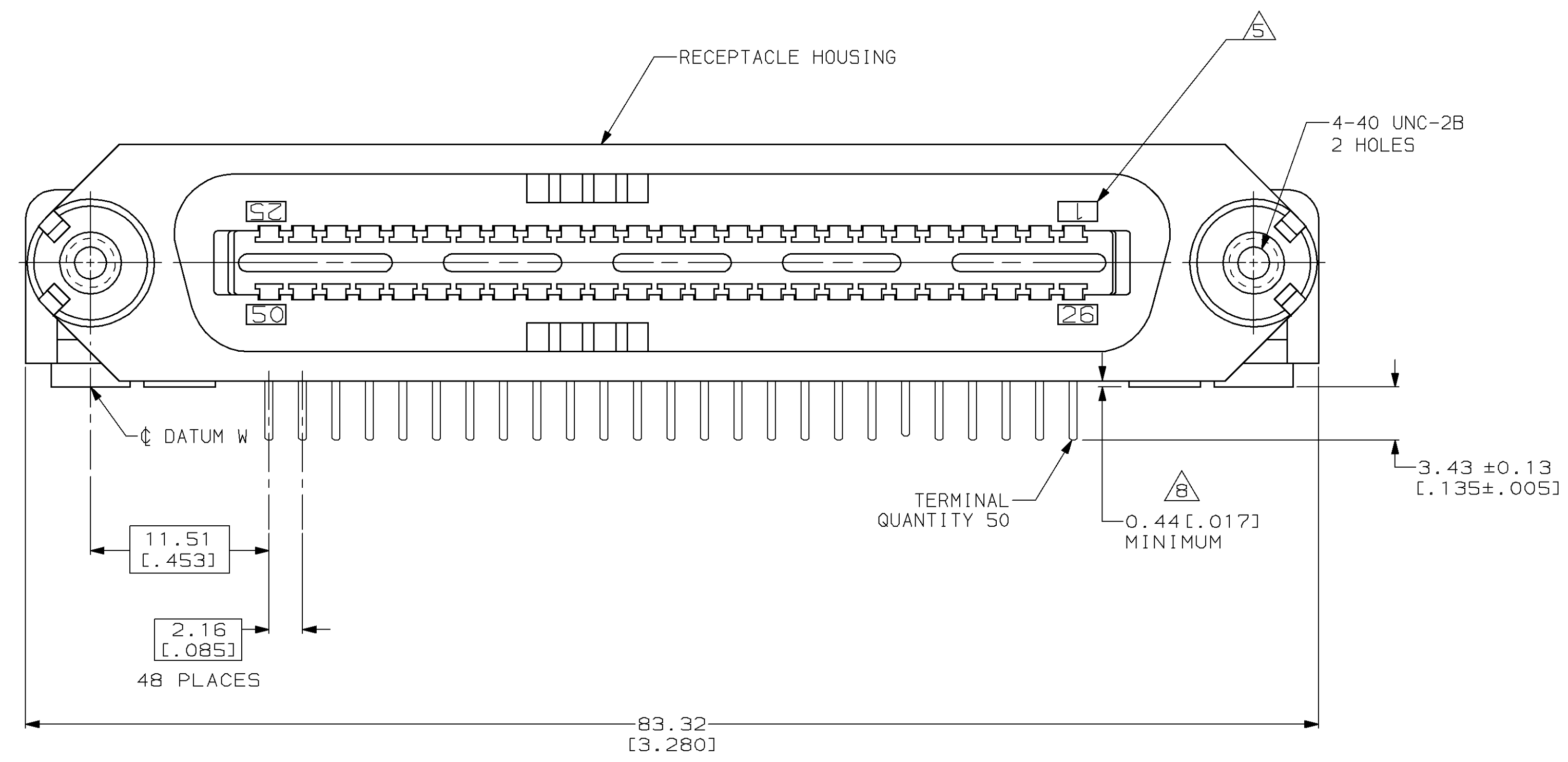


DETAIL A
REVERSE ORIENTATION

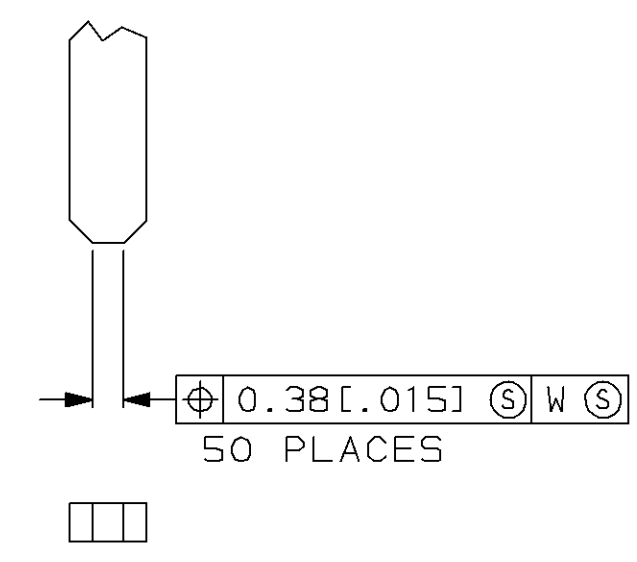


SUGGESTED PRINTED CIRCUIT BOARD MOUNTING DIMENSIONS
SCALE 2:1

- 1. MATERIAL: SUPPORT PLATE AND HOUSING - POLYESTER MOLDING COMPOUND, UL 94V-0, VALOX 420 SE0, BLACK, OR EQUIVALENT. TERMINALS - PHOS BRONZE PLATED WITH 0.76µm [0.00030] MINIMUM GOLD ON MATING SURFACE AND 3.05µm [0.00120] MINIMUM MATTE TIN-LEAD ON TAILS OVER 1.27µm [0.00050] MINIMUM NICKEL UNDERPLATE OVER ENTIRE TERMINAL.
- 2. THE CONTACT SURFACES OF THE TERMINALS ARE COATED WITH LUBRICANT.
- 3. FOR USE WITH A NO. 4 BT TYPE SELF TAPPING SCREW.
- 4. ALL DIMENSIONS SHOWN ARE MAXIMUM UNLESS OTHERWISE SPECIFIED.
- 5. TERMINAL 1 IS LOCATED IN THIS ROW FOR STANDARD ORIENTATION.
- 6. TERMINAL 1 IS LOCATED IN THIS ROW FOR REVERSE ORIENTATION. SEE DETAIL A.
- 7. MAXIMUM PANEL THICKNESS 1.57 [0.062].
- 8. CLEARANCE FOR FLUX REMOVAL.



SUGGESTED REAR PANEL MOUNTING CUTOUT DIMENSIONS
SCALE 2:1



TIP DETAIL
SCALE 20:1

DESCRIPTION	PART NUMBER
DETAIL A	552725-3
AS SHOWN	552725-2
STANDARD ORIENTATION	552725-1
DESCRIPTION	PART NUMBER
RECEPTACLE ASSEMBLY, 50 POSITION, RIGHT ANGLE	552725-1

DMN	DL DRUMMOND	18 AUG 97	AMP Incorporated
CHK	DL DRUMMOND	25 AUG 97	Harrisburg, PA 17105-3508
APVD	R. FLAHERTY	25 AUG 97	
PRODUCT SPEC			
APPLICATION SPEC			
WEIGHT	-		
CUSTOMER DRAWING			

DIMENSIONS:	TOLERANCES UNLESS OTHERWISE SPECIFIED:
0 PLC	±
1 PLC	±
2 PLC	±
3 PLC	±
4 PLC	±
ANGLES	±
FINISH	±

SIZE	A1	CAGE CODE	00779	DRAWING NO	C-552725
SCALE	4:1	SHEET	1 of 1	REV	N